

**Thermo Scientific Xpert B400/B600**  
X-Ray Inspection System

- Detects contaminants in bulk flows
- Maximized throughput
- Multilane rejection to reduce waste
- Easy to clean and maintain

## Foreign object detection

in bulk food products prior to use as ingredients or packaged products

The Thermo Scientific™ Xpert™ Bulk X-ray Inspection Systems start where other contaminant detection approaches leave off. They are ideal for finding metal, glass, rock and other objects in bulk foods such as nuts, seeds, berries or vegetables. The systems come in standard configurations or can be customized to fit your production environment.

# Thermo Scientific Xpert B400 and B600 X-Ray Inspection Systems

## Application and X-Ray Specifications

X-ray Power	70 kV, 1.2 mA (84W) or 80 kV, 2 mA (160W). B600 160W only
Detector Scan Rate	Up to 2800 lines/second
Detector Resolution	0.8mm standard, 0.4mm optional on B400
Detection Algorithms Available	Binary, Contrast, Gradient, Groups, Morphology
Inspectable Belt Width	325 mm (12.8 in) at 50 mm (1.9 in) product height (B400) 524 mm (20.6 in) at 50 mm (1.9 in) product height (B600)
Belt Speed Range	10m/min to 80m/min (33ft/min to 263ft/min)
Multilane Operation	1, 2, 3 or 4 lanes with separate rejecters
Conveyor Heights Available	800 mm to 1400 mm (31.5 in to 55 in)
Input Funnel Height	B400: Conveyor height + 318 mm (12.5 in), B600: Conveyor height + 388 mm (15.3 in)
Output Chute Height	Conveyor height – 461 mm (18.2 in)
System Length	2.2 m (86.6 in) B400 or 2.4 m (94.5 in) B600
X-Ray Shielding	No curtains required
Safety/Security Features	X-ray power key, emergency stops, radiation curtains, LED X-ray imminent/on lights, all doors equipped with magnetic interlocks
Human Machine Interface (HMI)	15-inch diagonal touchscreen with protective cover
Interface Languages Available	English, Spanish, Italian, French, German, Chinese; Others available on request

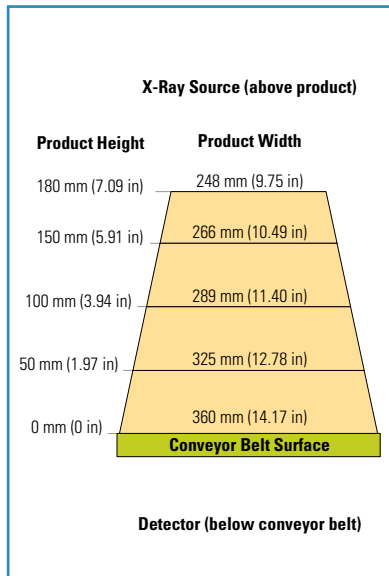
## Environmental, Electrical and Operational Specifications

Operating Temperature	+5°C to +40°C (+41°F to +104°F)
Machine Cooling	Built-in 2083 BTU (610 W) cabinet air conditioner
Relative Humidity	20% to 90% non-condensing
Electrical Input	190 to 240 VAC, 50/60 Hz, 20-amp service
USB Port	2.0, watertight port on outside of machine
Network Port	Ethernet
Compressed Air (for rejection devices)	80 psi to 100 psi (5.5 bar to 6.9 bar)
Machine Weight (standard model)	850 kg (1870 lbs)

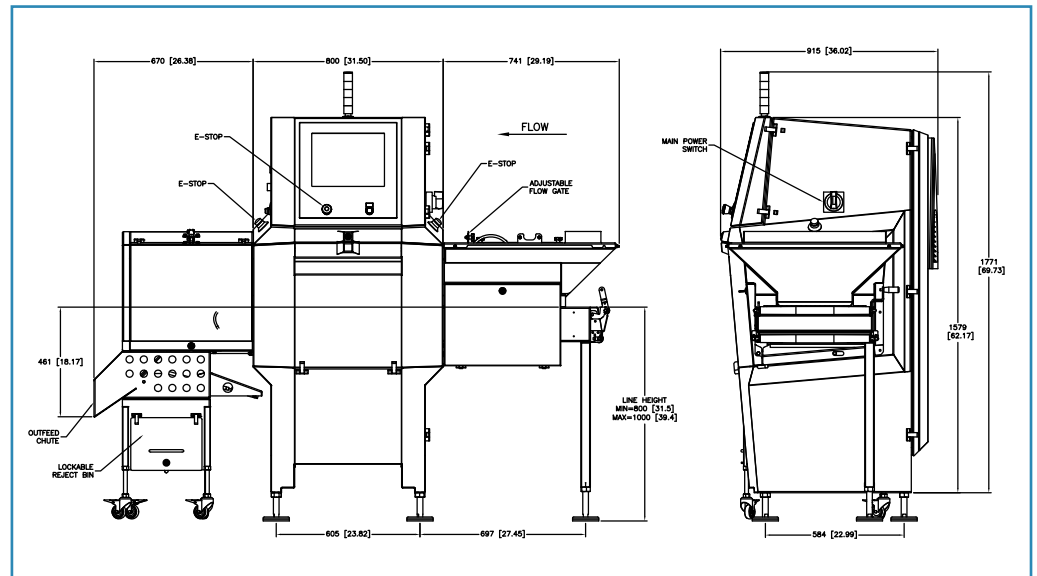
## Conformance Tests and Certifications

Radiation Safety Conformance	FDA CFR 21 part 1020.40 (contact factory for other regional certifications)
Export/Safety	CE, UL or CSA 508A on request (verified by ETL)
Intrusion Protection Rating	IP 54 or IP65

### Xpert B400 Beam Geometry



### Xpert B400 Bulk Inspection System Dimensions (B600 model belt approximately 50% wider)



[thermoscientific.com/Xpert](http://thermoscientific.com/Xpert)

Email: [sales.packaging.us@thermofisher.com](mailto:sales.packaging.us@thermofisher.com)

© 2014 Thermo Fisher Scientific Inc. All rights reserved. All trademarks are the property of Thermo Fisher Scientific Inc. and its subsidiaries. Specifications, terms and pricing are subject to change. Not all products are available in all countries. Please consult your local sales representative for details.

**Africa-Other** +27 11 570 1840  
**Australia** +61 2 8844 9500  
**Austria** +43 1 333 50 34 0  
**Belgium** +32 53 73 42 41  
**Canada** +1 800 530 8447  
**China** +86 10 8419 3588  
**Denmark** +45 70 23 62 60  
**Europe-Other** +43 1 333 50 34 0

**Finland /Norway/Sweden**  
 +46 8 556 468 00  
**France** +33 1 60 92 48 00  
**Germany** +49 6103 408 1014  
**India** +91 22 6742 9434  
**Italy** +39 02 950 591  
**Japan** +81 45 453 9100  
**Latin America** +1 608 276 5659

**Middle East** +43 1 333 50 34 0  
**Netherlands** +31 76 579 55 55  
**South Africa** +27 11 570 1840  
**Spain** +34 914 845 965  
**Switzerland** +41 61 716 77 00  
**UK** +44 1442 233555  
**USA** +1 800 532 4752

**Thermo**  
 SCIENTIFIC

A Thermo Fisher Scientific Brand